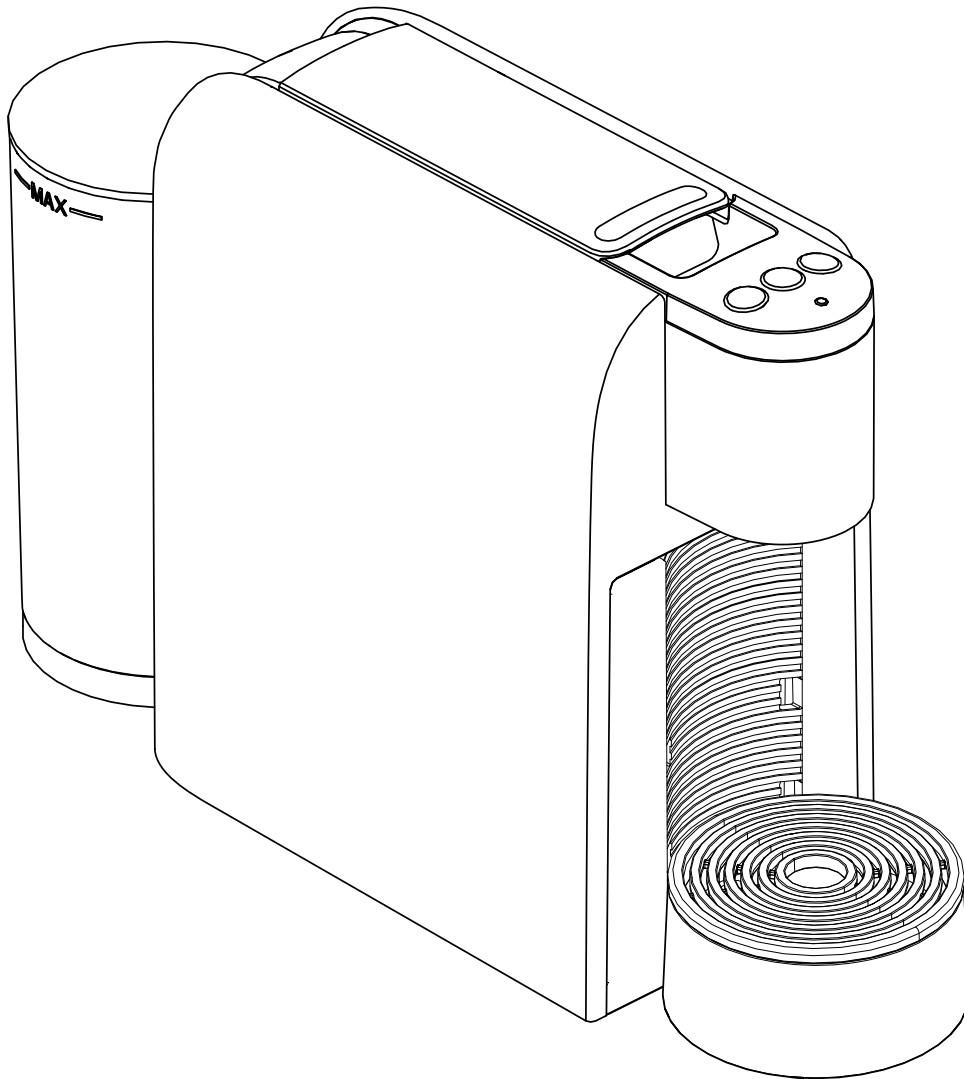
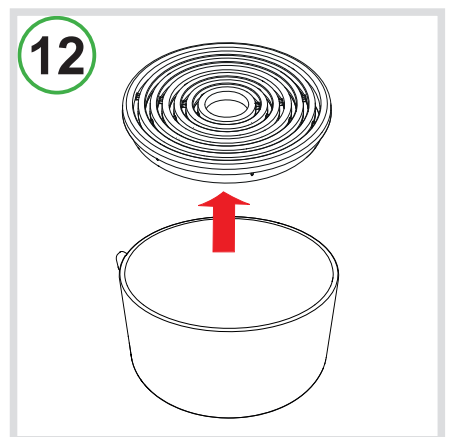
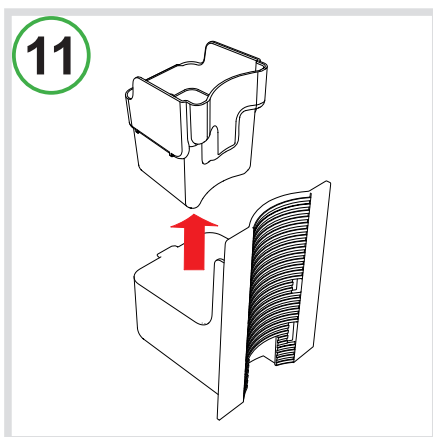
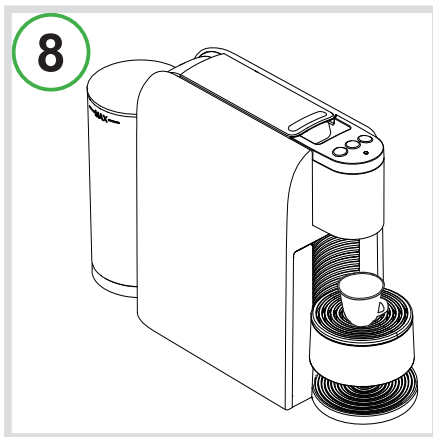
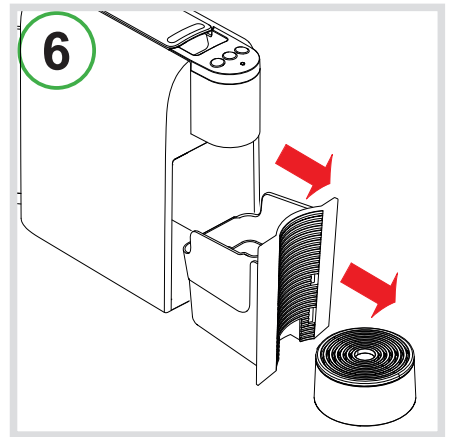
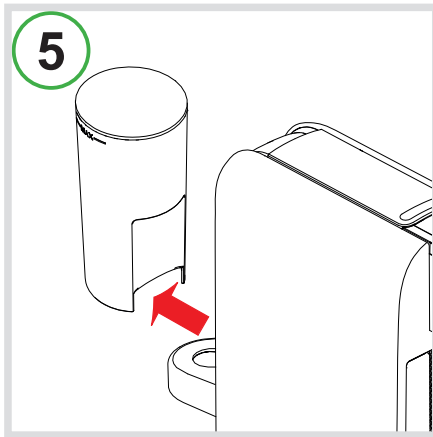
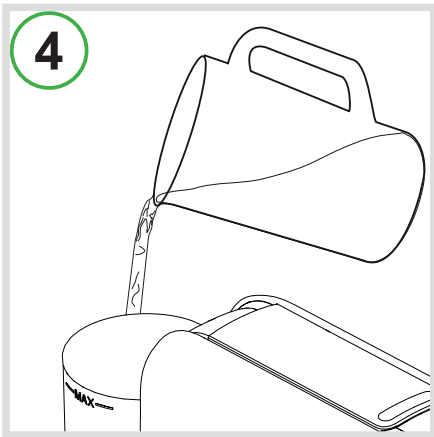
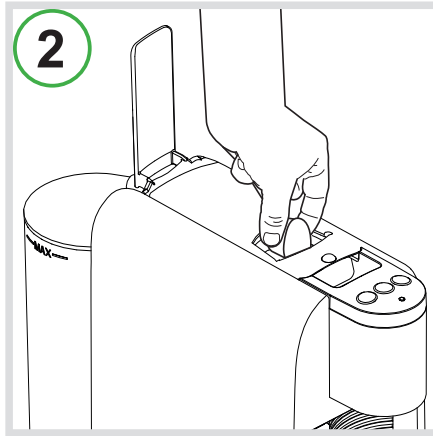
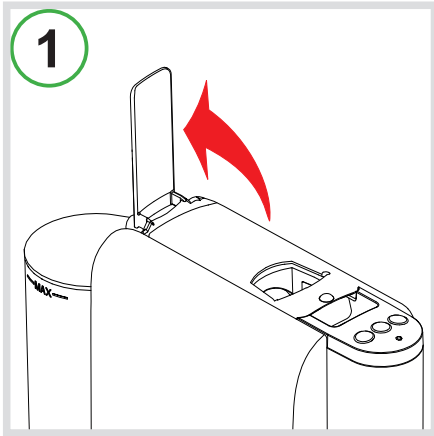
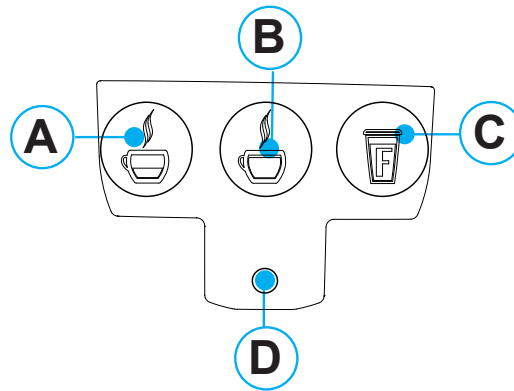
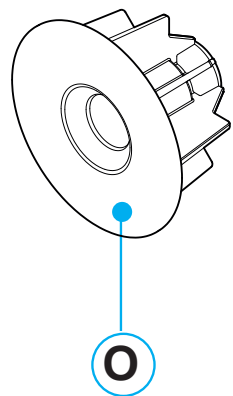
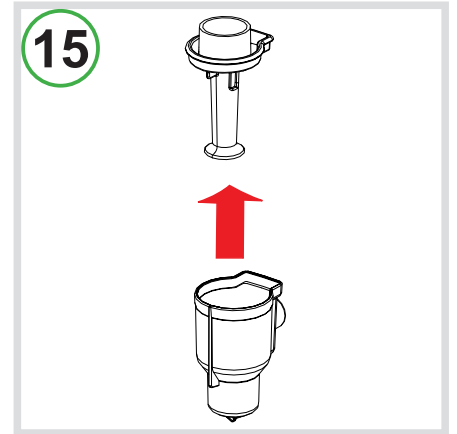
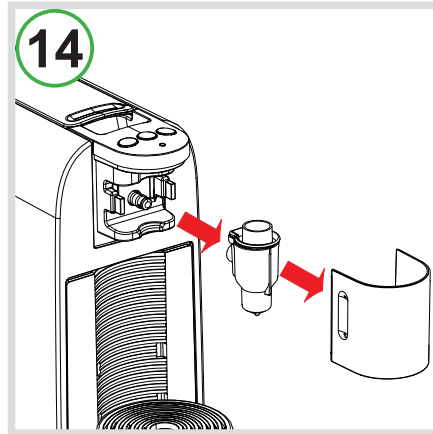
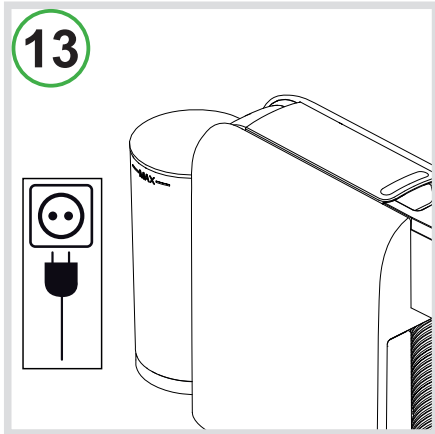


Model S33

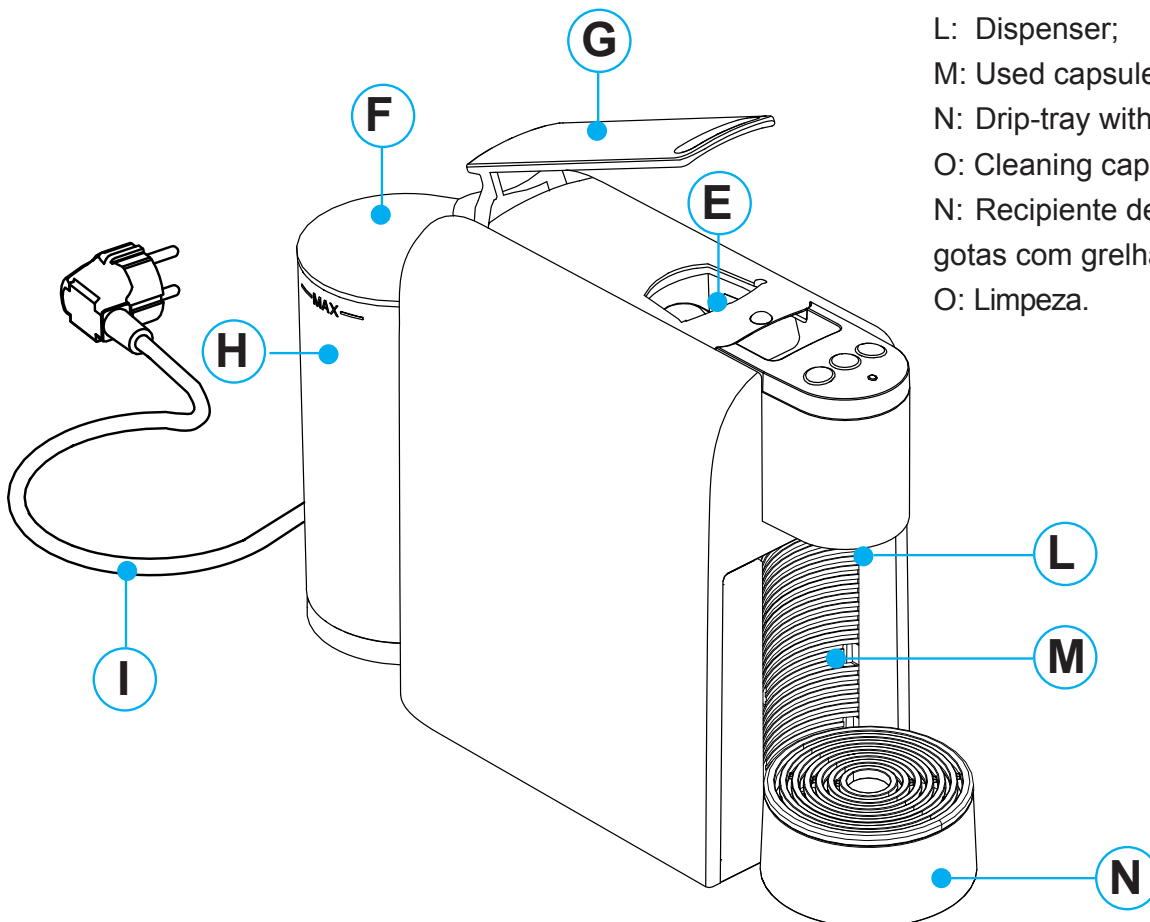






English

- A: "Espresso" button;
 - B: "Long coffee" button;
 - C: "Filter coffee" button;
 - D: "Multifunction" indicator light;
 - E: Capsule compartment;
 - F: Water tank lid;
 - G: Capsule compartment opening / closing lever;
 - H: Water tank;
 - I: Power cord;
 - L: Dispenser;
 - M: Used capsule drawer;
 - N: Drip-tray with grille;
 - O: Cleaning capsule.
- N: Recipiente de recolha de gotas com grelha;
O: Limpeza.



CONTENTS

Introduction:

- Follow the instructions (Symbols) 16
- Your Caffitaly System contact 16
- Safety warnings 17
- Instructions for use and disposal 18

Installation:

- **First use or after a long period of non-use** 18
- Switch the appliance on 18
- General operating indications 18
- Adjusting the cup/espresso cup height 19

Dispensing a product:

- Dispensing coffee 19
- Programming the amount of coffee in a cup 19

Cleaning and Maintenance:

- Energy saving 20
- Rinse cycle 20
- Daily cleaning 20
- Descaling 21

Miscellaneous:

- Troubleshooting 22
- Technical data 22

Dear Customer, thank you for choosing our product and for the trust placed in us. With our machine you can savour your favourite hot beverages any time of the day thanks to the various capsules Caffitaly System offers. For example: an espresso, a cocoa-flavoured beverage or a tea will be ready in just a few seconds.

Follow the instructions (Symbols)

Attention.



This is the safety warning symbol. It is used to bring attention to possible risks of personal injury. Comply with the safety messages provided in order to avoid possible injury or death.



NB.

This is the symbol used to highlight some actions that will optimise use of the machine.



Not dishwasher safe



Cleaning advice

Your Caffitaly System contact

info@caffitaly.com

Safety warnings

Read the following instructions **CAREFULLY!**

In this way you will prevent the risk of accidents and damage to the appliance.

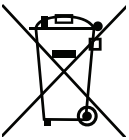
- This appliance is intended for use in domestic and similar applications. Its use in the following areas is not permitted: kitchen areas for shop staff, offices and other work environments, in hotels, holiday farms, motels, B&Bs and other residential-type places.
- Any other use not covered by these instructions may cause injury and/or damage to property and the machine itself and voids the warranty. The manufacturer declines any liability for damage resulting from improper use of the appliance.
- After removing the packaging, check that the appliance is not damaged. In case of damage, or at the first sign of faultiness (unusual noise or odours), or if any problem occurs inside the appliance, do not use it. Contact an Authorised Service Centre.
- The packaging elements (plastic bags, etc.) are potential hazards and must not be left within the reach of children.
- Only use the appliance if the power cord is intact. To replace a damaged cord, contact an Authorised Service Centre. Danger of death caused by electric shocks.
- The appliance should only be used and stored indoors. Make sure the electrical elements, plugs and cords are dry. Never immerse the appliance. Protect the appliance from sprays and drips. Water and electricity together create a risk of electrocution.
- Only connect the appliance to approved power sockets. Make sure the mains voltage matches that shown on the data plate located on the bottom of the appliance.
- The surface on which the machine is installed must be level, solid, stable and heat resistant; the support surface must not slope more than 2°.
- Do not allow the appliance to be used by children (even over 8 years old), or people with impaired mental, physical or sensory faculties or insufficient experience and expertise, unless they are carefully supervised and instructed by a person responsible for their safety. Children must be kept under supervision to prevent them from playing with the appliance!
- Do not leave the power cord near hot surfaces and sharp edges or objects.
- Never place hands inside the capsule compartment. Danger of injury.
- Always close the lever. Never open the lever while a product is being dispensed.
- Never remove parts of the machine, except those indicated for daily cleaning.
- Do not insert anything in the openings. This could cause electric shocks! Any operation not described in this instruction manual must only be carried out by an Authorised Service Centre!
- Grip the plug without pulling on the cord to disconnect it.
- Descale the appliance regularly, according to the instructions. Otherwise the appliance may get damaged.
- Clean the appliance carefully and regularly. If it is not cleaned, the build-up that forms could be hazardous to the health. Unplug the appliance and allow it to cool before cleaning.
- If the appliance is not going to be used for long periods (holidays, etc.), unplug it.

Instructions for use and disposal



The appliance has been manufactured using high quality materials that can be reused or recycled. Dispose of the appliance at a suitable waste collection centre.

Instructions for correct disposal of the product pursuant to European Directive 2002/96/EC and Leg. Decree no. 151 of 25 July 2005. At the end of its useful life, the product must not be disposed of together with household waste. It can be taken to a suitable recycling centre set up by the local authorities or returned to a dealer who provides this service.



Disposing of an electrical appliance separately prevents possible negative consequences for the environment and human health due to inadequate disposal and allows the materials used in its construction to be recovered in order to obtain significant savings in terms of energy and resources. The crossed-out bin symbol on the product highlights the obligation to dispose of electrical appliances separately. Improper disposal of the product by the user will involve the application of administrative penalties as provided for under current regulations.

The packaging is made from recyclable materials. Contact the competent authorities for information regarding local regulations.

First use or after a long period of non-use

Only use “original Caffitaly System capsules”

- Fill the tank with fresh non-carbonated water (Fig.4).
- Insert the plug into the power socket. (Fig.13); the appliance switches on.
- Together with buttons **A-B-C**, the indicator light **D** also blinks alternately **RED**.
- Place a large container (at least 250ml) under the dispenser, first removing the drip-tray if necessary (Fig.9).
- Press one of the buttons **A-B-C**. Wait for the machine to complete the water circuit filling cycle. The indicator light **D** goes off.



NB: If, after the filling cycle, the buttons **A-B-C** and the indicator light **D** continue to blink, repeat the operations of the previous point.

- The buttons **A-B-C** blink simultaneously; the machine is in the warming up phase.
- When the buttons **A-B-C** light up steady, the appliance is ready to use.

Switch the appliance on

- Fill the tank with fresh non-carbonated water (Fig.4).
- Insert the plug into the power socket (Fig. 13); the appliance switches on.
- The buttons **A-B-C** blink simultaneously; the machine is in the warming up phase.
- When the buttons light up steady, the appliance is ready to use.

General operating indications

DESCALING SIGNAL:

- When the indicator light **D** blinks **YELLOW**, it is advisable to do the descaling cycle (see the section Descaling).

WARMING UP:

- The buttons **A-B-C** blink simultaneously.

WHEN THE WATER FINISHES DURING OPERATION:

- The water tank is empty when the indicator light **D** blinks **RED** and the machine beeps 3 times followed by a single intermittent beep.
- Fill the water tank with fresh non-carbonated water (Fig.4).

- Raise and close the lever (Fig.1 - 3) to drop a capsule (if present inside) into the special drawer.
- Press one of the buttons **A-B-C**. Wait for the machine to complete the water circuit filling cycle.
- When the buttons **A-B-C** light up steady, the machine is ready to use.

IF THE LEVER IS RAISED DURING DISPENSING:

- Raising the lever while dispensing a product (Fig.1) can cause splashes of hot water.
Danger of scalding!
- The indicator light **D** blinks **RED** and the machine beeps intermittently. Dispensing is immediately stopped.
- Close the lever (Fig.3).
- Press one of the buttons **A-B-C** to reset the alarm.
- The machine is ready to use again.

Adjusting the cup/espresso cup height

- The machine can be adjusted for the use of large cups or espresso cups.
- The machine is initially set for the use of large cups (Fig.7).
- For best results when using espresso cups, raise the drip-tray and grille, hooking it in the two top holes (Fig.10).
- An espresso cup can now be placed under the coffee dispenser (Fig.8).

Dispensing a product

Only use “original Caffitaly System capsules”

- Raise the lever to open the capsule compartment (Fig.1).
- Insert the capsule, pressing it gently inside (Fig.2).
- Close the lever fully (Fig.3).
- Place a cup or espresso cup under the coffee dispenser (Fig.7 or 8).
- **Briefly press** the button **A** or **B**, depending on the desired coffee.
- The pressed button blinks. The machine stops dispensing when the programmed amount is reached, and a beep sounds.
- Raise the lever to eject the used capsule into the special drawer (Fig.1).
- Close the lever (Fig.3).



NB: The amounts of coffee dispensed can be programmed according to personal taste and the size of the cups or espresso cups used. To program the amounts, see the section “Programming the amount of coffee in a cup”.

Programming the amount of coffee in a cup

- Raise the lever to open the capsule compartment (Fig.1).
- Insert the capsule, pressing it gently inside (Fig.2).
- Close the lever fully (Fig.3).
- Place a cup or espresso cup under the dispenser (Fig.7 or 8).
- **To program the button there are two ways:**
 - A) Press and hold the button** for a few seconds, until the machine beeps twice. On reaching the desired amount of coffee, **press the same button again.**
 - B) Press and hold the button.** On reaching the desired amount of coffee, **release the button.**
- The button is now programmed. **The amount of coffee dispensed can be programmed from a minimum of 20 to a maximum of 250 ml.**
- Raise the lever to eject the used capsule into the special drawer (Fig.1).
- Close the lever (Fig.3).

Energy saving



The machine automatically reduces consumption after **10 minutes** of non-use. The buttons **A-B-C** blink slowly and sequentially. After **3 minutes** the buttons **A-B-C** go off. To restore normal conditions of use, press any button or open the lever. The appliance starts warming up. When the buttons **A-B-C** light up steady, the machine is ready to use.

Rinse cycle



NOTE: Traces of the product just dispensed may remain in the circuit of the machine. To retain maximum beverage flavour, when changing from one product to another, rinsing.

Make sure to run the cycle at least once a week.

- Raise the lever to open the capsule compartment.
- Insert the **cleaning capsule O** (Fig.2) supplied.
- Close the lever fully.
- Press the buttons **A-B**. The machine runs the rinse cycle and the buttons **A-B-C** blink simultaneously. Wait for the machine to complete brewing.
- Raise the lever to eject the cleaning capsule into the drawer. Close the lever
- Pull out the used capsule drawer and retrieve the cleaning capsule. Reinsert the drawer.

Daily cleaning

- Remove the drip-tray and used capsule drawer (Fig.6).
- Lift the used capsule drawer (Fig.11); empty and rinse it out.
- Remove the grille and its support (Fig.12). Lift the drip-tray; empty and rinse it out.
- Remove the water tank (Fig.5); empty and rinse it out.
- Remove all the front cover. Then remove the coffee dispenser inner body (Fig.14).
- Disassemble the coffee dispenser body (Fig.15).
- Disassemble the coffee dispenser body.



Use a soft cloth and mild detergent to clean the surface of the appliance. Do not use jets of water to clean the appliance.



The plastic parts of the machine, including the water tank, are **NOT** dishwasher safe.

Descaling

Descaling signal: when the indicator light **D** blinks **YELLOW** and the machine 3 times, it is advisable to do a descaling cycle, as illustrated below.



The machine has an advanced program that checks how much water is used to dispense products. This measurement allows the user to know when the machine needs a descaling cycle.

Make sure to use Caffitaly System descaler, which is designed to respect the machine's technical characteristics, in full compliance with consumer safety. The descaler must be disposed of according to the manufacturer's instructions and/or the regulations in force in the country of use.



CAREFULLY read the directions for use on the descaler package. Avoid contact with eyes, skin and machine surfaces.

Do not turn the machine off and do not raise the lever during descaling. A person must be present during the operation.





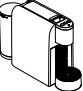



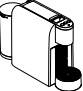


Do not use vinegar: it could damage your machine!

- Switch the machine off by unplugging it (Fig.13).
- Empty and rinse out the used capsule drawer and drip-tray (Fig.6).
- Remove and empty the water tank (Fig.5).
- Mix half the contents of a bottle of Caffitaly System descaler with about 500ml of water (total 625ml) and pour into the tank.
- Make sure the lever is lowered (Fig.3) and that no capsule is inside the capsule compartment.
- Remove the drip-tray and place a container (at least 250ml) under the dispenser (Fig.9).
- Hold down the buttons **A** and **B** and at the same time plug the appliance in to switch it on. The button **B** is lit up, whereas the indicator **D** blinks **YELLOW** and **RED** alternately.
- Press the button **B** to start the descaling cycle.
- The machine dispenses the descaling solution at intervals (**5 dispensings with a 4-minute pause between each, for a duration of about 20 minutes**). During this phase, **when the buttons must not be pressed**, the indicator light **D** blinks **YELLOW** and **RED** alternately.
- If the container fills up, empty it.
- At the end of the first phase, the button **B** lights up and the machine beeps. The water tank is empty.
- Carefully rinse out the water tank and refill it with fresh water (Fig.4).
- Empty and rinse out the used capsule drawer and the container used, and put them back in place.
- Press the button **B** to start the rinse cycle.
- The machine dispenses the rinse water at intervals (2 dispensings with a 1-minute pause between each. Approx. 500ml). During this phase the indicator light **D** blinks **YELLOW** and **RED** alternately.
- When the rinse cycle is completed, the machine beeps and the buttons **A-B-C** blink simultaneously, the machine is in the warming up phase
- When the buttons light up steady, the appliance is ready to use.
- Carefully empty and rinse out the water tank and refill it with fresh non-carbonated water (Fig.4).
- Empty and rinse out the used capsule drawer and refit it together with the drip-tray.

Troubleshooting

PROBLEM	POSSIBLE CAUSE	CURE
No coffee comes out. The indicator light D blinks RED .	The water tank is empty.	Fill the tank with fresh water. Press a button to refill the circuit. When the buttons are lit up steady, the appliance is ready to use.
The coffee is not hot enough.	<ul style="list-style-type: none"> - Cold cups / espresso cups. - Scale build-up in machine. 	<ul style="list-style-type: none"> - Prewarm the cup. - Descale.
The lever cannot be lowered.	<ul style="list-style-type: none"> - The used capsule drawer is full. - Capsule stuck inside the machine. 	<ul style="list-style-type: none"> - Empty the used capsule drawer. - Remove the stuck capsule.
The indicator light D is lit up steady RED .	Warming up problems.	Switch the machine off, then on again. If the problem persists, take the machine to an Authorised Service Centre.
When a button is pressed to dispense coffee, the machine seems to start but then stops without dispensing coffee, or only dispenses a small amount.	Incorrect programming of amounts.	Reprogram the amount for the button. See the section "Programming the amount of coffee in a cup".

Technical data

 See the data plate on the bottom of the machine.	 Approx. 3 kg
 0.7 litres	 Max. 15 bar
 ambient temperature: 10°C ÷ 40°C	 < 70dB A
 330 mm	 8 capsules
 110 mm	 235 mm
	 370 mm

The materials and objects in contact with food products comply with the requirements of European Regulation 1935/2004.

A series of 20 horizontal dashed lines for writing, spaced evenly down the page.

Caffitaly System S.p.A.
via Panigali 38
40041 Gaggio Montano (BO) - Italy
Phone: +39 0534 38911
Fax: +39 0534 38962
Web: www.caffitaly.com



IB33300900 - Rev.00 del 03-12-21